

PARTS LIST			
ITEM	QTY	PART NUMBER	DESCRIPTION
1	4	TBBS-2	BACKPLATE
2	1	MRRT-93	RECTANGULAR MIRROR
3	4	TSPS-2	HUB
4	6	CRYSCAP-20	CRYSTAL CAP
5	2	MR-TILT-FIT	HUB
6	8	CRRD-34	CHECK RING
7	2	KBBD-1	HUB
8	4	TU34-12	TUBE

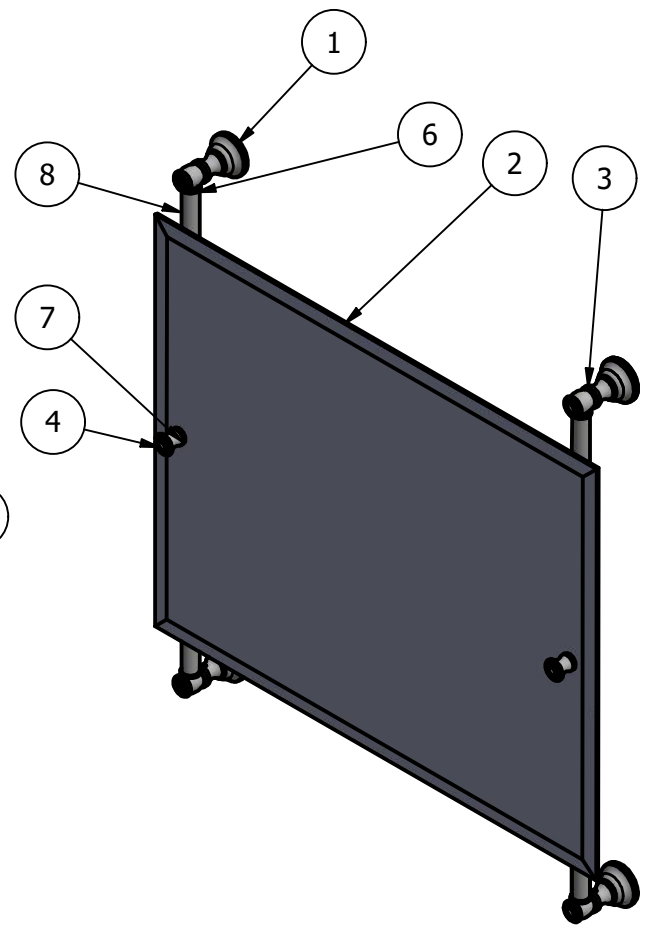
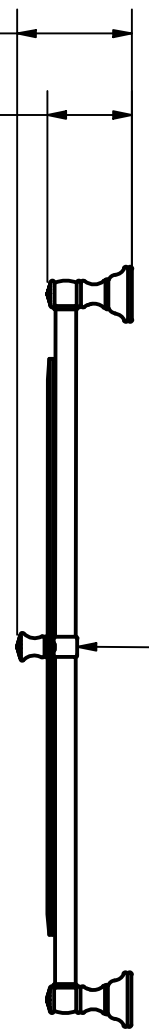
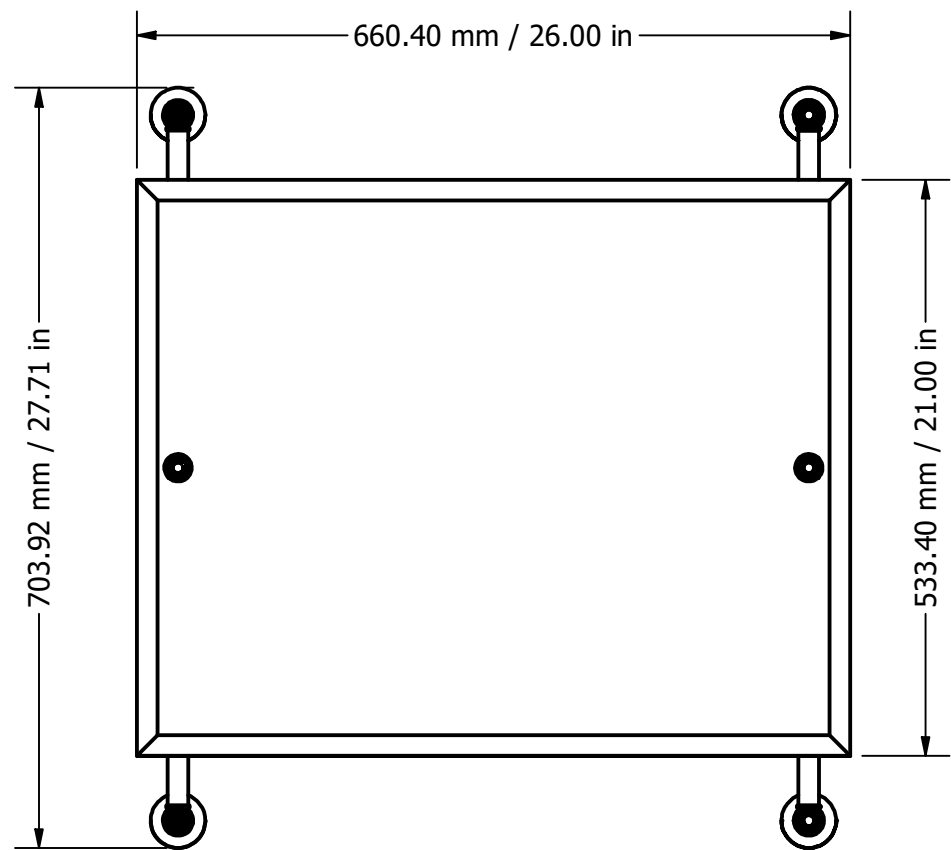
APPROVED FOR PRODUCTION
 By: RICHARD PAUL
 Date: 01-29-20

B

106.27 mm / 4.18 in

78.33 mm / 3.08 in

A



B

A

UNLESS OTHERWISE SPECIFIED	
.X	± .3mm
.XX	± .15mm
.XXX	± .008mm

COPYRIGHT @ALLIEDBRASS 2020	
	THIRD ANGLE PROJECTION

DRAWN	1-29-20	IM
CHECKED	1-29-20	P.D.
APPROVED	1-29-20	R.A.

MATERIAL:	BRASS
DESCRIPTION:	Carolina Crystal Collection Rectangular Landscape Rail Mounted Mirror

FINISH	TBD
QTY	TBD
DRAWING NO.	CC-27-93
SCALE	1.5:1



REV	0
SHEET: 1 OF 1	A4

2

1